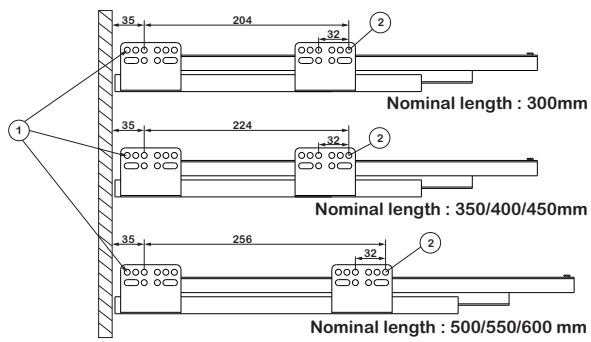


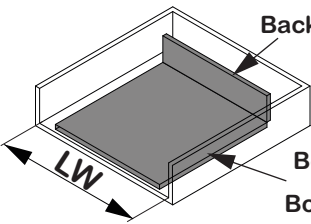
Minimum Height	Item No.	Nominal Length	Internal Drawer Length	Min. Installation Length of Drawer
	Slimtek - 300	300	295	310
	Slimtek - 350	350	345	360
	Slimtek - 400	400	395	410
	Slimtek - 450	450	445	460
	Slimtek - 500	500	495	510
	Slimtek - 550	550	545	560
	Slimtek - 600	600	595	610



- ① This drilling hole can be used when the slides are at close position.
- ② This drilling hole can be used when the slides are pulled out.

Bottom & Back panels measurements >

LW : Internal Cabinet Width



Back panel Width = LW - 90±0.5

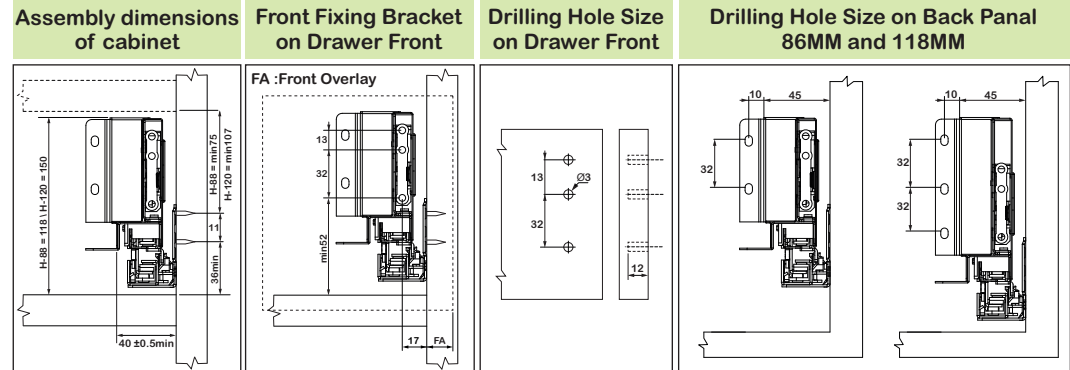
Bottom Panel width = LW - 80±0.5

Bottom Panel length = (Nominal length) - 5mm

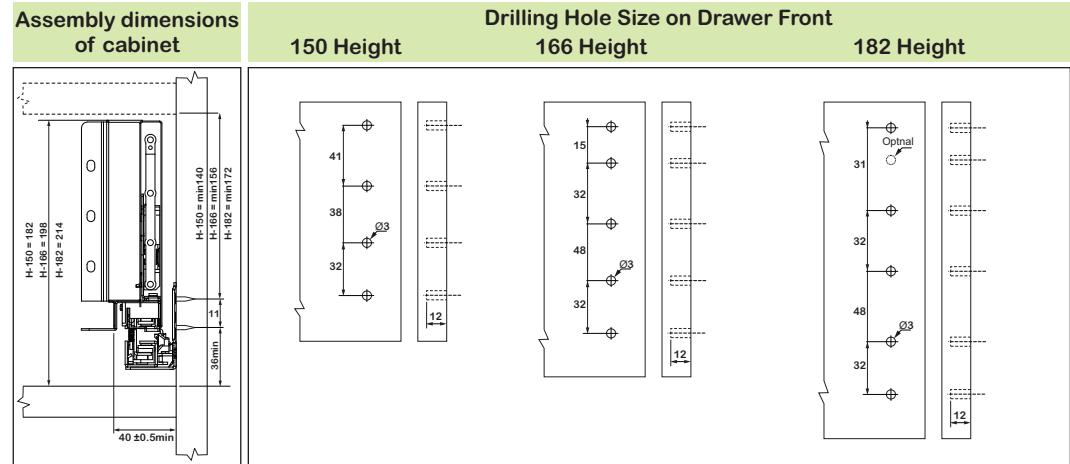
Back panel height

Item No.	ST 86	ST 118	ST 150	ST 166	ST 182
Back panel height	70	102	134	150	166

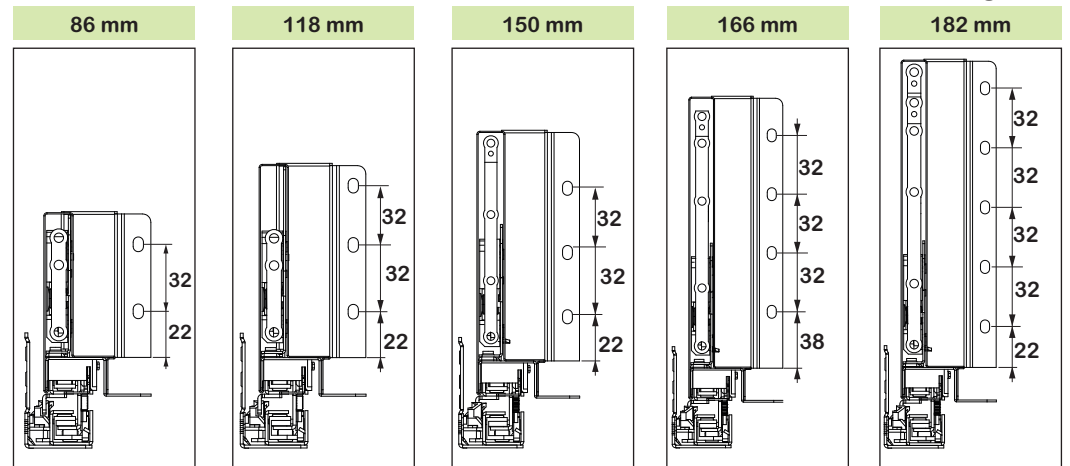
< Assembly dimensions For 86 and 118mm Height



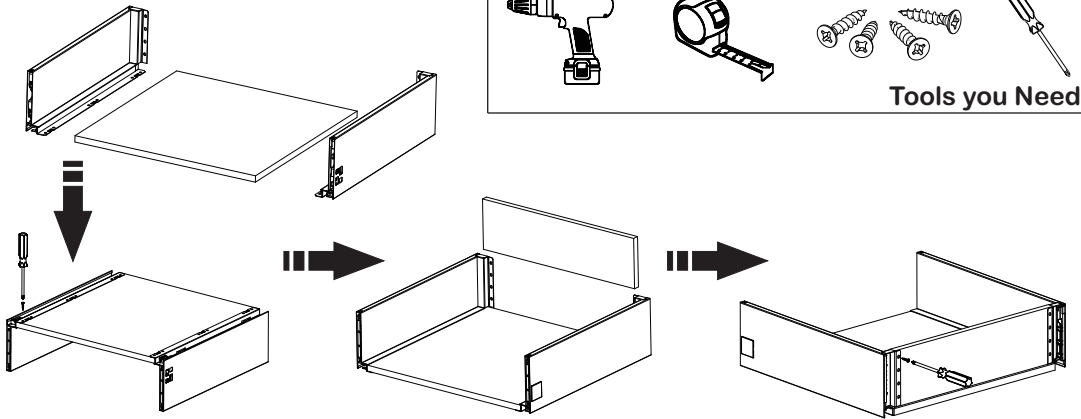
< Assembly dimensions For 150 / 166 and 182mm Height



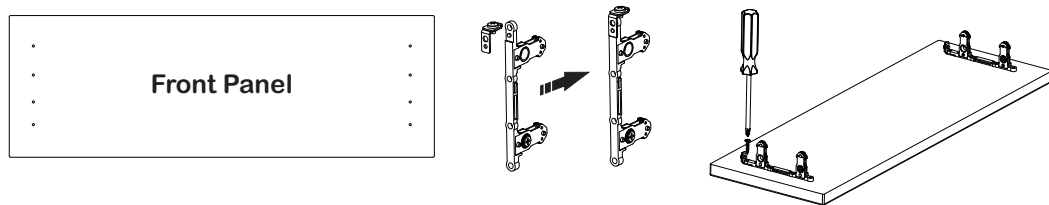
Back Panel Fitting Hole



Step :-1 Fix Bottom And Back Panel

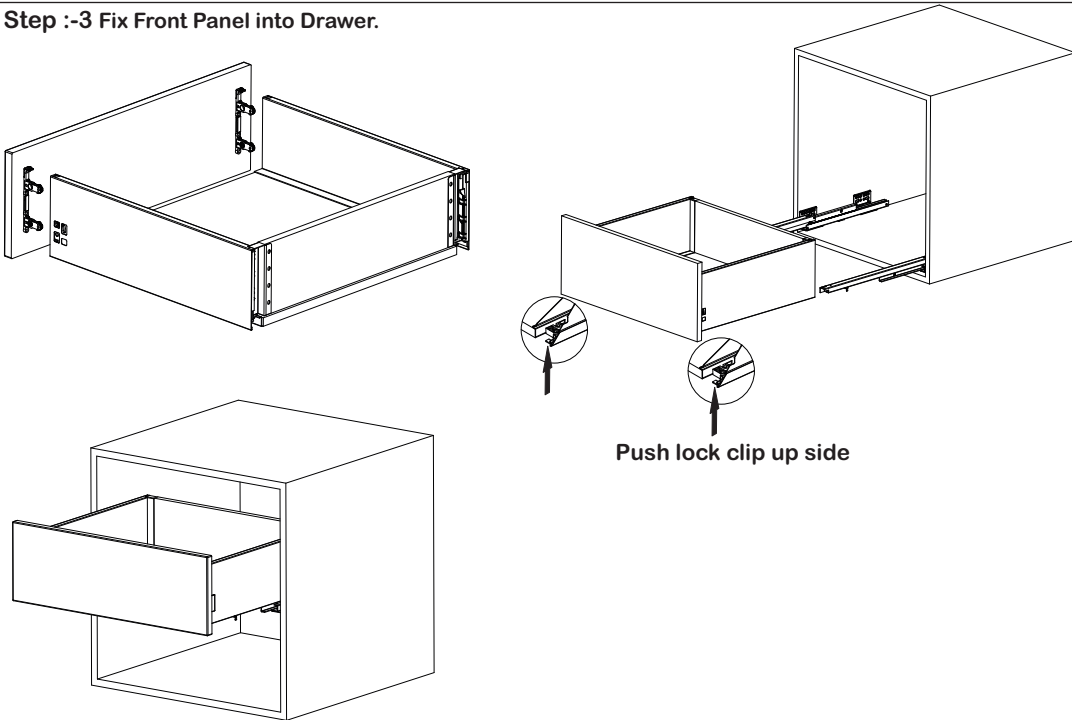


Step :-2 Fix Front Panel Fitting Part As Shown

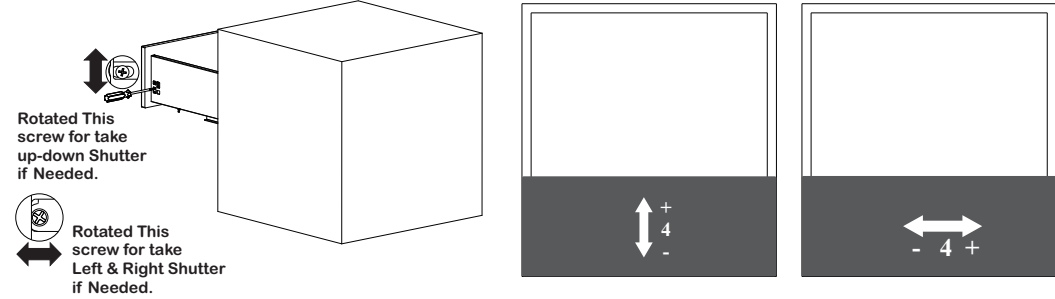


* Make Hole According to Given Details in Front Side

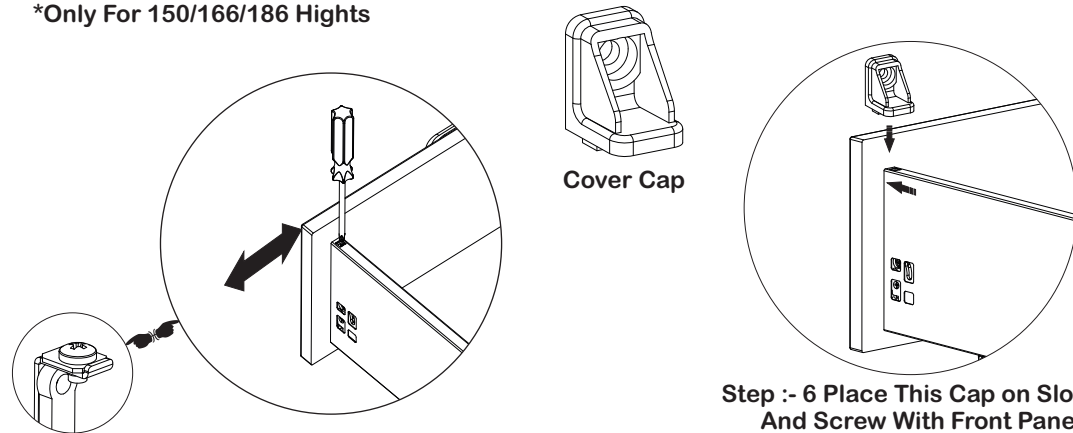
Step :-3 Fix Front Panel into Drawer.



Step :- 4 For Adjust UP- Down / Left - Right Use This Step

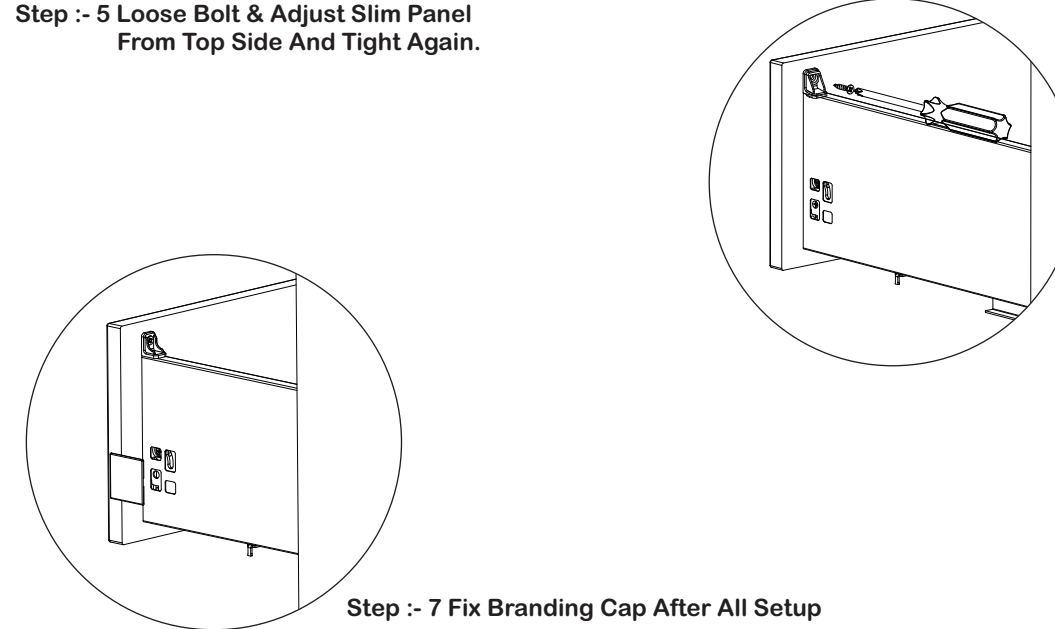


*Only For 150/166/186 Hights



Step :- 5 Loose Bolt & Adjust Slim Panel From Top Side And Tight Again.

Step :- 6 Place This Cap on Slot And Screw With Front Panel



Step :- 7 Fix Branding Cap After All Setup